



# RCYA3

3" LED ARCHITECTURAL CYLINDER

## JOB INFORMATION

Type: \_\_\_\_\_  
 Catalog No: \_\_\_\_\_  
 Project Name: \_\_\_\_\_  
 Comments: \_\_\_\_\_  
 Prepared by: \_\_\_\_\_

RCYA3

### USE OF PRODUCT

The RCYA Series may be used in hospitality, commercial, retail, and residential interior applications. This series is available in two sizes (RCYA6 & RCYA3) and is wattage selectable, color temperature selectable, and beam angle selectable. Optional filters available upon request. Multiple mounting options: Surface mount, adjustable surface mount, cord mount, pendant mount.

### RCYA3 FEATURES

- Wattage selectable: 13W, 19W, 25W
- Color temperature selectable: 2700K, 3000K, 3500K, 4000K, 5000K
- Beam angle selectable: 18° to 50°
- Knife edge appearance
- Made to order finish available upon request

### HOUSING

Rugged aluminum housing to effectively and passively remove heat from LED.

### LED ENGINE

Color temperature selectable 90 CRI LEDs

### DRIVER

- 0-10V (120V-277V) dimming driver with range of 1% - 100%.
- Driver power factor >0.9, THD <20%
- Operating Temperature Range: -20°C - 40°C (-4°F-104°F)

### EMERGENCY BATTERY

May utilize an 8W remote emergency battery (ceiling access required) with a remote test switch.

### BEAM ANGLE & FILTERS

Beam angle is continuously adjustable from 18° to 50° degrees with preset stops at 18°, 24°, 36°, and 50°. Optional linear lens, honeycomb louver, and soft optics available upon request. (Lumens decrease)

### MOUNTING

Surface mount, adjustable surface mount (for wall or ceiling), cord mount, and pendant mount.

### LABELS/COMPLIANCE/WARRANTY

- UL certified
- 5-year limited warranty.



## ORDERING INFORMATION

Series	Wattage	Voltage	Color Temperature	Beam Angle	Filter
RCYA3	<b>WS25</b> - Wattage Selectable (13W, 19W, 25W) <b>L13W</b> - Locked at 13W <b>L19W</b> - Locked at 19W <b>L25W</b> - Locked at 25W	<b>UNV</b> - 120-277V (0-10V Dimming)	<b>5CTS</b> - (2700K, 3000K, 3500K, 4000K, 5000K) <b>L27K</b> - Locked at 2700K <b>L30K</b> - Locked at 3000K <b>L35K</b> - Locked at 3500K <b>L40K</b> - Locked at 4000K <b>L50K</b> - Locked at 5000K	<b>BA1850</b> - 18°- 50° Adjustable	<b>None</b> - Included <b>L</b> - Linear <b>H</b> - Honey Comb <b>S</b> - Softening Lens

Reflector Finish	Cylinder Finish	Mounting	Options
<b>W</b> - White <b>B</b> - Black <b>MTO</b> - Made to Order	<b>W</b> - White <b>B</b> - Black <b>MTO</b> - Made to Order	<p><b>Stem</b></p> <p><b>PH3SC1W</b><sup>1</sup> - 1 ft White Stem Pendant with Shallow Canopy  <b>PH3SC1B</b><sup>1</sup> - 1 ft Black Stem Pendant with Shallow Canopy  <b>PH3SC2W</b><sup>1</sup> - 2 ft White Stem Pendant with Shallow Canopy  <b>PH3SC2B</b><sup>1</sup> - 2 ft Black Stem Pendant with Shallow Canopy  <b>PH3DC1W</b><sup>1</sup> - 1 ft White Stem Pendant with Deep Canopy  <b>PH3DC1B</b><sup>1</sup> - 1 ft Black Stem Pendant with Deep Canopy  <b>PH3DC2W</b><sup>1</sup> - 2 ft White Stem Pendant with Deep Canopy  <b>PH3DC2B</b><sup>1</sup> - 2 ft Black Stem Pendant with Deep Canopy</p> <p><b>Adjustable Stem</b></p> <p><b>PH3SC1WADJ</b><sup>1</sup> - 1 ft White Stem Pendant, Adjustable Fixture, Shallow Canopy  <b>PH3SC1BADJ</b><sup>1</sup> - 1 ft Black Stem Pendant, Adjustable Fixture, Shallow Canopy  <b>PH3SC2WADJ</b><sup>1</sup> - 2 ft White Stem Pendant, Adjustable Fixture, Shallow Canopy  <b>PH3SC2BADJ</b><sup>1</sup> - 2 ft Black Stem Pendant, Adjustable Fixture, Shallow Canopy  <b>PH3DC1WADJ</b><sup>1</sup> - 1 ft White Stem Pendant, Adjustable Fixture, Deep Canopy  <b>PH3DC1BADJ</b><sup>1</sup> - 1 ft Black Stem Pendant, Adjustable Fixture, Deep Canopy  <b>PH3DC2WADJ</b><sup>1</sup> - 2 ft White Stem Pendant, Adjustable Fixture, Deep Canopy  <b>PH3DC2BADJ</b><sup>1</sup> - 2 ft Black Stem Pendant, Adjustable Fixture, Deep Canopy</p> <p><b>Cord</b></p> <p><b>CP3SW</b> - White Cord Pendant with Shallow Canopy  <b>CP3SB</b> - Black Cord Pendant with Shallow Canopy  <b>CP3DW</b> - White Cord Pendant with Deep Canopy  <b>CP3DB</b> - Black Cord Pendant with Deep Canopy</p> <p><b>Surface</b></p> <p><b>SM3SW</b> - White Surface Mount with Shallow Canopy  <b>SM3SB</b> - Black Surface Mount with Shallow Canopy  <b>SM3DW</b> - White Surface Mount with Deep Canopy  <b>SM3DB</b> - Black Surface Mount with Deep Canopy</p> <p><b>Adjustable Surface</b></p> <p><b>ASCW</b><sup>2</sup> - White Adjustable Surface Mount  <b>ASCB</b><sup>2</sup> - Black Adjustable Surface Mount</p>	<p><b>Options</b></p> <p><b>SP1W</b><sup>1</sup> - 1 ft White Stem Pendant  <b>SP1B</b><sup>1</sup> - 1 ft Black Stem Pendant  <b>SP2W</b><sup>1</sup> - 2 ft White Stem Pendant  <b>SP2B</b><sup>1</sup> - 2 ft Black Stem Pendant  <b>ER8W</b> - 8W Emergency Battery with Remote Test Switch</p> <p><b>Notes</b></p> <p>1. 1ft and 2ft stems are linkable up to 12 ft. Consult factory for made to order lengths.            2. Can be extended with stem pendant</p>



# RCYA3

## 3" LED ARCHITECTURAL CYLINDER

### PERFORMANCE CHART

---

	Optics	18°	24°	36°	50°
13W	Delivered Lumens	1322	1375	1414	1386
19W	Delivered Lumens	1880	1934	1973	1945
25W	Delivered Lumens	2360	2462	2535	2483

\* Values are listed at 3000K, 90+ CRI with a white bevel & trim.

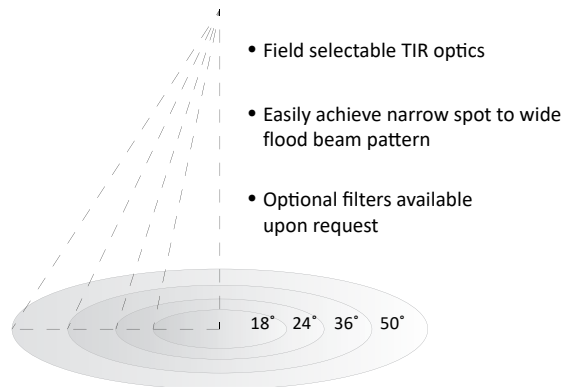
### COLOR TEMPERATURE MULTIPLIER FOR DELIVERED LUMENS

---

2700K	3000K	3500K	4000K
0.95	1.00	1.04	1.07

### BEAM SPREAD

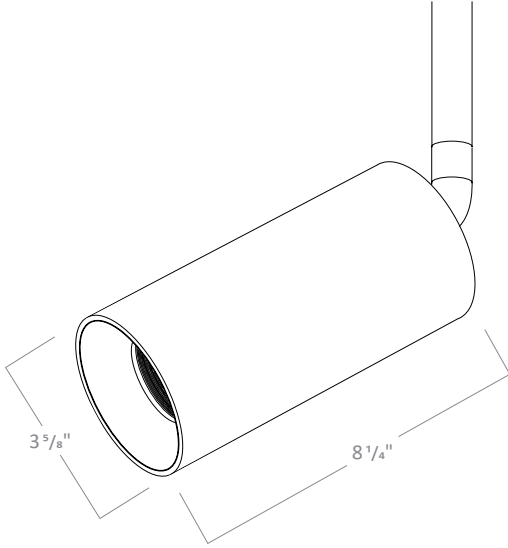
---



# RCYA3

## 3" LED ARCHITECTURAL CYLINDER

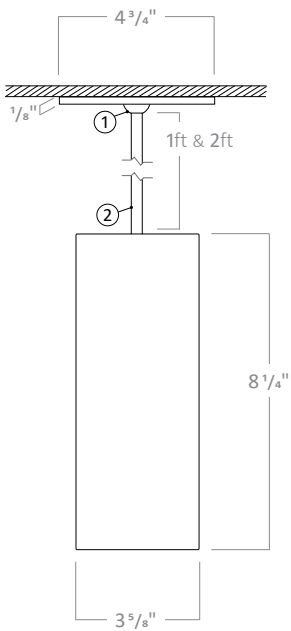
### RCYA3 DIMENSIONS



### STEM PENDANT

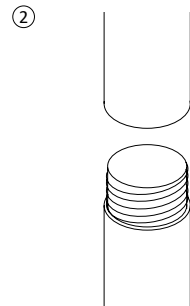
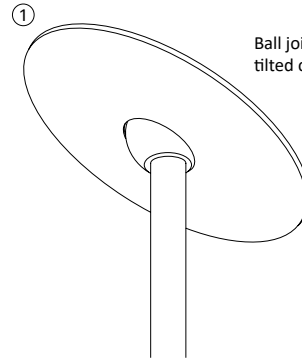
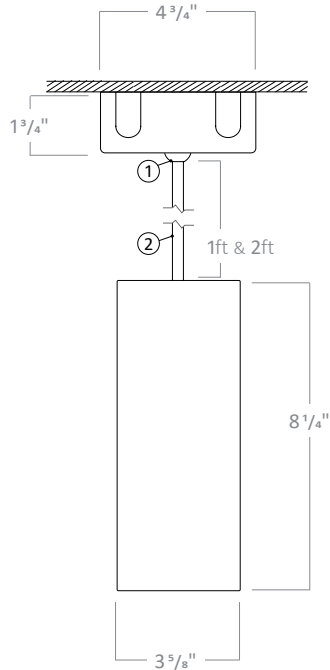
PH3SC1W, PH3SC1B,  
PH3SC2W, PH3SC2B

Stem Pendant with  
Shallow Canopy



PH3DC1W, PH3DC1B,  
PH3DC2W, PH3DC2B

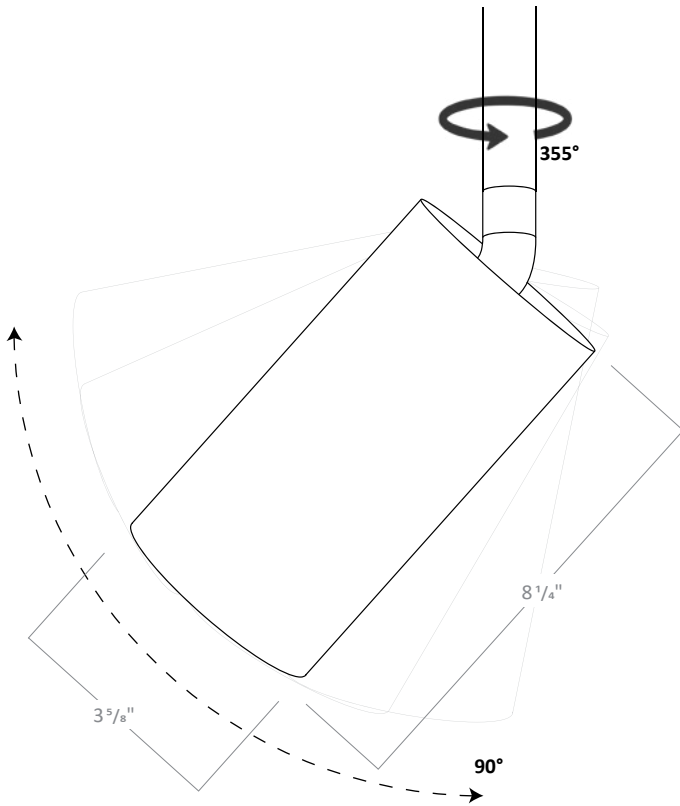
Stem Pendant with  
Deep Canopy



# RCYA3

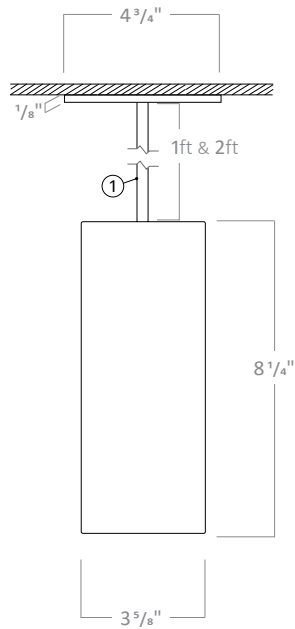
## 3" LED ARCHITECTURAL CYLINDER

### ADJUSTABLE STEM PENDANT



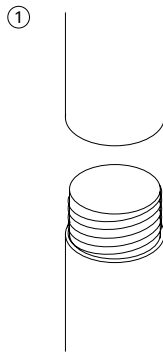
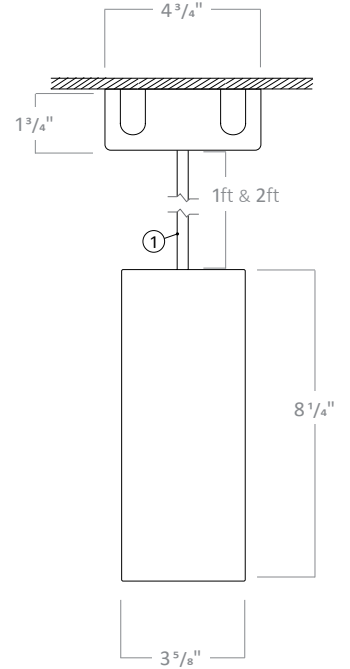
PH3SC1WADJ, PH3SC1BADJ,  
PH3SC2WADJ, PH3SC2BADJ

Stem Pendant with  
Shallow Canopy



PH3DC1WADJ, PH3DC1BADJ,  
PH3DC2WADJ, PH3DC2BADJ

Stem Pendant with  
Deep Canopy



1ft and 2ft stems are linkable up to 12 ft.  
Consult factory for made to order lengths.

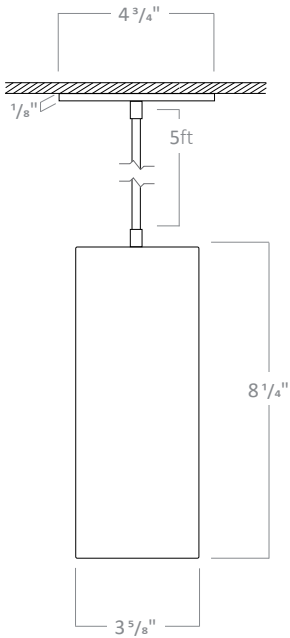
# RCYA3

## 3" LED ARCHITECTURAL CYLINDER

### CORD PENDANT

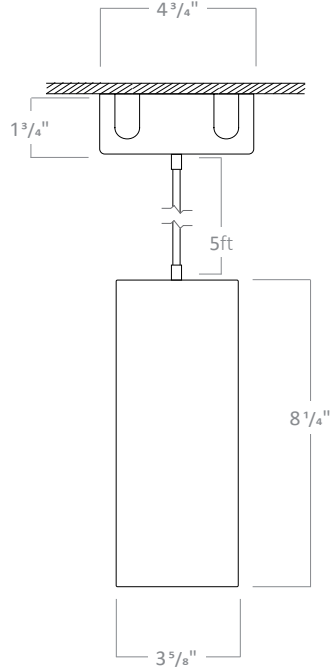
#### CP3SW, CP3SB

Cord Pendant with Shallow Canopy



#### CP3DW, CP3DB

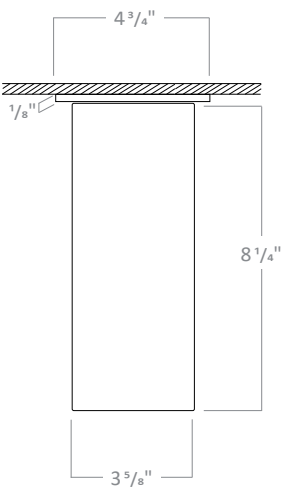
Cord Pendant with Deep Canopy



### SURFACE MOUNT

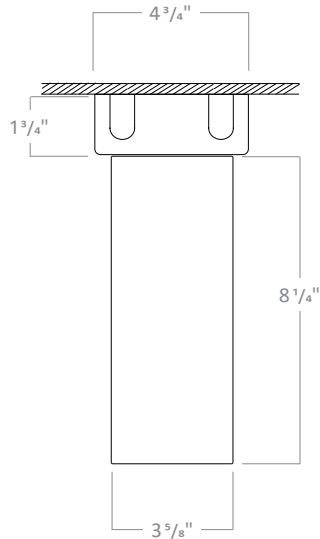
#### SM3SW, SM3SB

Surface Mount with Shallow Canopy



#### SM3DW, SM3DB

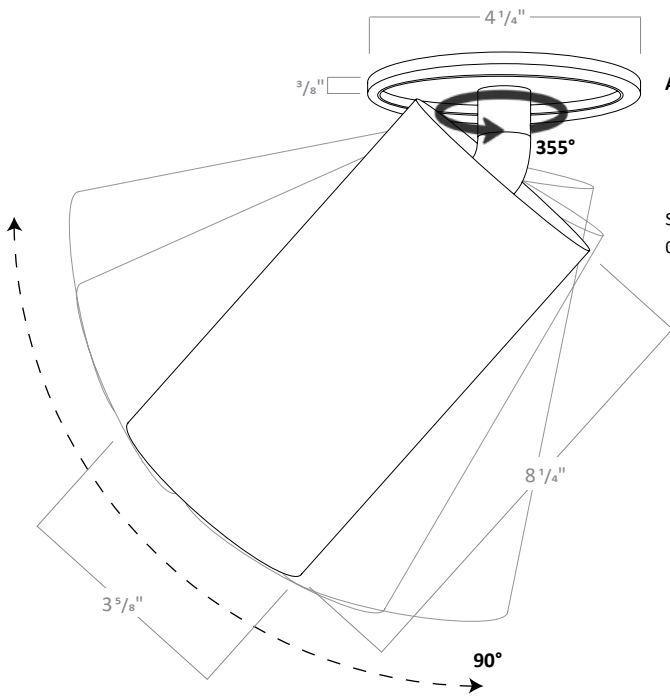
Surface Mount with Deep Canopy



# RCYA3

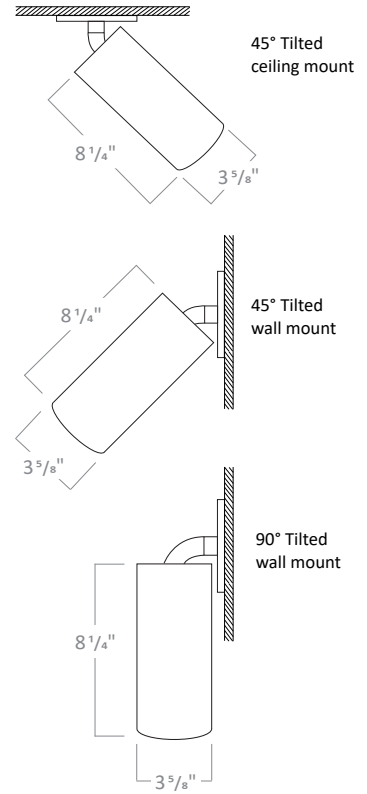
## 3" LED ARCHITECTURAL CYLINDER

### ADJUSTABLE SURFACE MOUNT

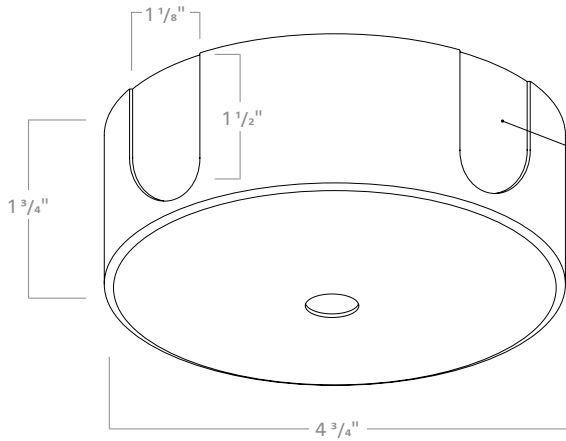


ASCW, ASCB

Supports 355° locking rotation  
0-90° tilt adjustment



### DEEP CANOPY FOR SURFACE, CORD, OR PENDANT MOUNT



Deep Canopy options come standard with 4 Knockouts installed. Accommodates a 4" octagonal junction box with 1-1/2" depth (provided by others).

Knockouts may be run from 4 sides

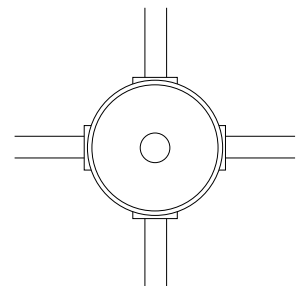
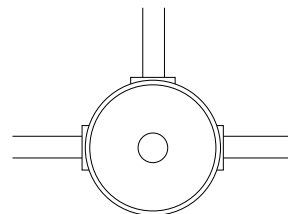
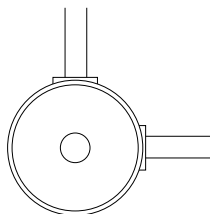
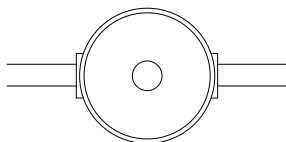
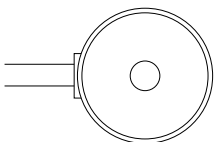
Single Conduit Mount

Double 180° Conduit Mount

Double 90° Conduit Mount

Triple 90° Conduit Mount

Quad 90° Conduit Mount



# RCYA3

3" LED ARCHITECTURAL CYLINDER

8W EMERGENCY BATTERY

